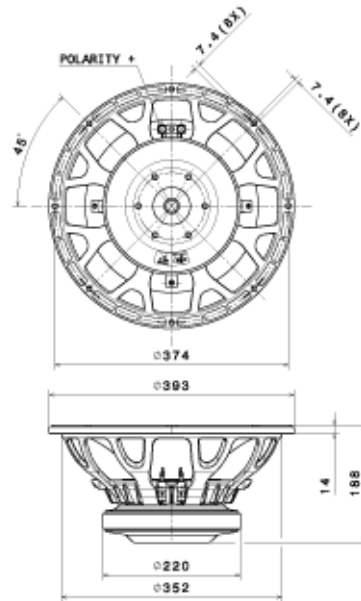




15HP1030 High Performance Series



NOMINAL SPECIFICATIONS

Nominal Diameter	380 mm (15 in)
Overall Diameter	393 mm (15.47 in)
Bolt Circle Diameter	374 mm (14.72 in)
Baffle Cutout Diameter	354 mm (13.94 in)
Depth	188 mm (7.40 in)
Flange and Gasket Thickness	14 mm (0.55 in)
Net Weight	11.7 Kg (25.85 lb)
Shipping Box (Single Carton Box)	430x427x236 mm (16.93x16.81x9.29 in)
Shipping Weight	12.6 Kg (27.78 lb)

ELECTRICAL SPECIFICATION

Minimum Impedance	6.7 Ohm
Nominal Impedance	8 Ohm
AES Power Handling *	1000 W
Maximum Power Handling **	2000 W
Sensitivity (1W/1m)	96 dB
Frequency Range	40÷2000 Hz
Voice Coil Diameter	100 mm (4 in)
Winding Material	Cu
Former Material	Glass Fiber
Winding Depth	28.9 mm (1.14 in)
Magnetic Gap Depth	12 mm (0.47 in)
Flux Density	1.1 T
Magnet	Ferrite Ring
Demodulation	Aluminum Ring
Suspension ***	Triple Roll

THIELE & SMALL PARAMETERS

Fs	40 Hz
Re	5 Ohm
Bl	24.3 N/A
Mms	151.9 g
Cms	0.1 mm/N
Rms	3.3 Kg/s
Qes	0.33
Qms	11.83
Qts	0.32
Vas	86.1 dm ³ (3.04 ft ³)
Sd	780 cm ² (120.9 in ²)
Xmax ****	12.45 mm
Xdamage *****	23.05 mm
Le	1.4 mH
Mmd	139.5 g
Eta Zero	1.71 %
EBP	121 Hz

NOTES

Spider Profile: 2x non-adjacent symmetrical variable height waves

(*) 2 Hours Test According to AES 2-1984 Rev. 2003

(**) Maximum power is defined as 3dB greater than nominal power.

(***) Treated Polycotton

(****) $X_{max} = [(winding\ depth - magnetic\ gap\ depth) / 2] + (magnetic\ gap\ depth / 3)$

(*****) Maximum excursion before permanent damage

CURVES

